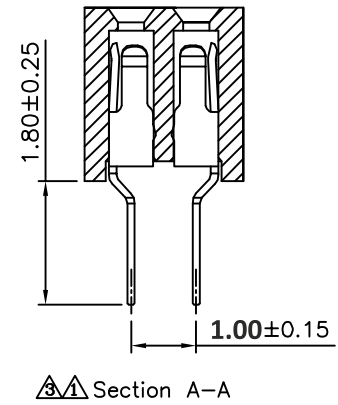
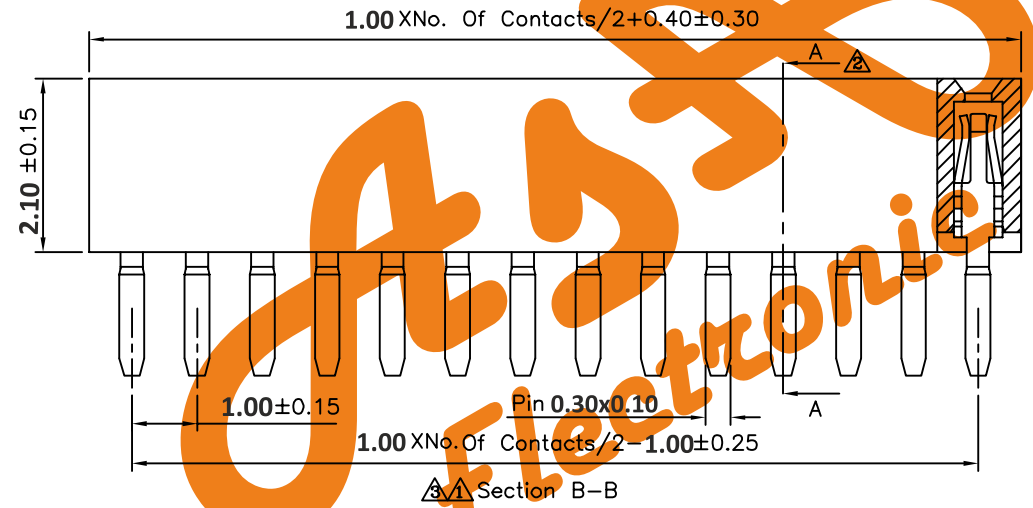
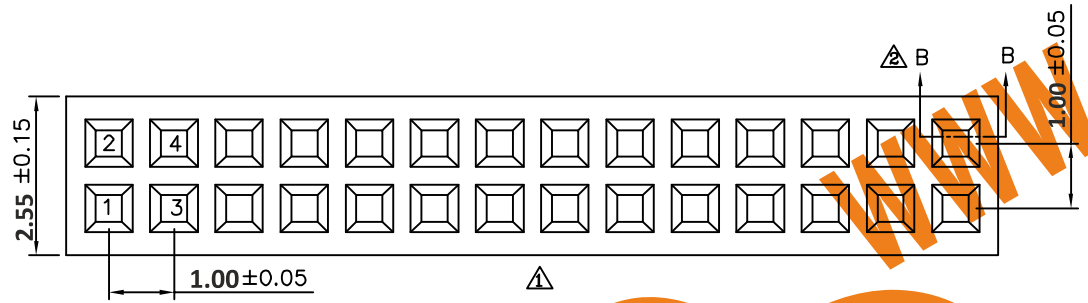


Recommended P.C.B. Layout (Top Side)  
(PCB Board Tolerance  $\pm 0.05$ )

**△ SPECIFICATION**  
 Current Rating: 1.0 Amp  
 Withstand Voltage: 500V AC/DC  
 Contact Resistance: 20 Milliohms Max.  
 Insulation Resistance: 1000 Megaohms Min.  
 Operation Temperature:  $-40^{\circ}\text{C} \sim +105^{\circ}\text{C}$   
 Contact: Phosphor Bronze, Gold Plated Over Nickel  
 Insulator: PA9T+30%G.F. (UL94V-0), Black  
 RoHS Compliant



**AsA Electronic**  
 WWW.AsA-Elec.com  
 AsA Electronic Co.  
 Tel : (+98) 21 66 73 56 82 Mob : (+98) 912 03 161 02

DRAWING No.		APPROVED BY EMILY	
SCALE		CHECKED BY HZF	
NONE		DRAWING BY GAO	
REV.	A3	UNIT	mm

UNLESS OTHERWISE SPECIFIED  
 TOLERANCES ARE  
 .X  $\pm 0.40$   
 .XX  $\pm 0.25$   
 .XXX  $\pm 0.15$   
 ANG.  $\pm 3^{\circ}$

NO.	REV.	REVISIONS	CHK	DATE
△ A3		Modify Data	HZF	12/11/2012
△ A2		Modify Data	HZF	07/21/2010
△ A1		Modify Data	HZF	08/06/2009
△ A0		NEW RELEASE	BECKY	01/07/2005